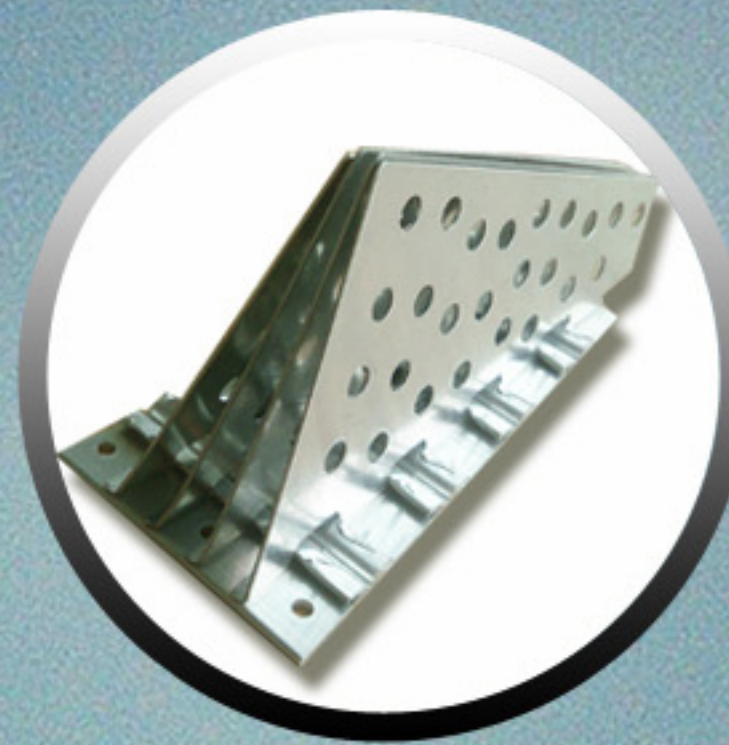


# LED Post Top Bulb

LED post top bulb is tailored to replace MH HPS HID CFL lamp etc.  
for post top/acorn/lantern lighting fixtures etc.



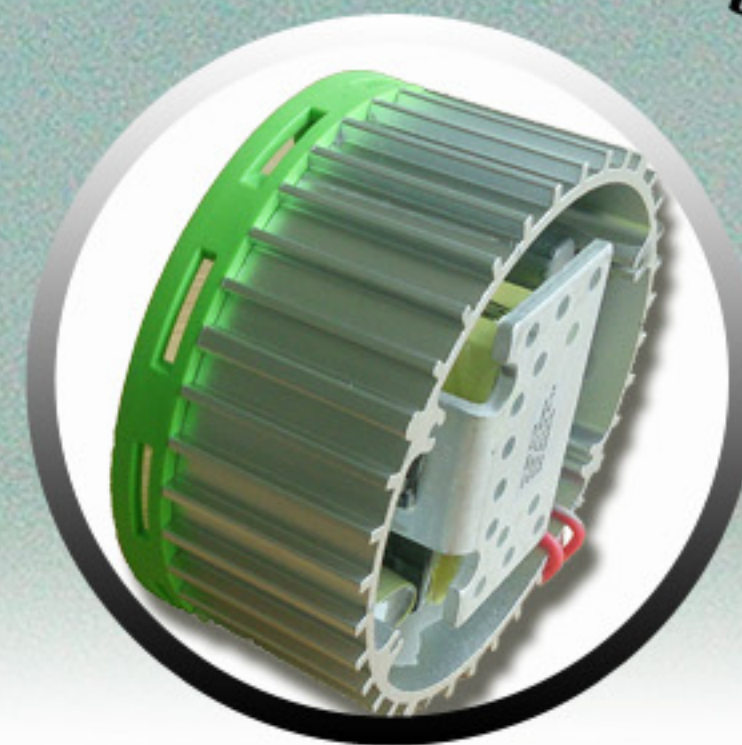
*Aluminum fins heat sink*  
93% purity



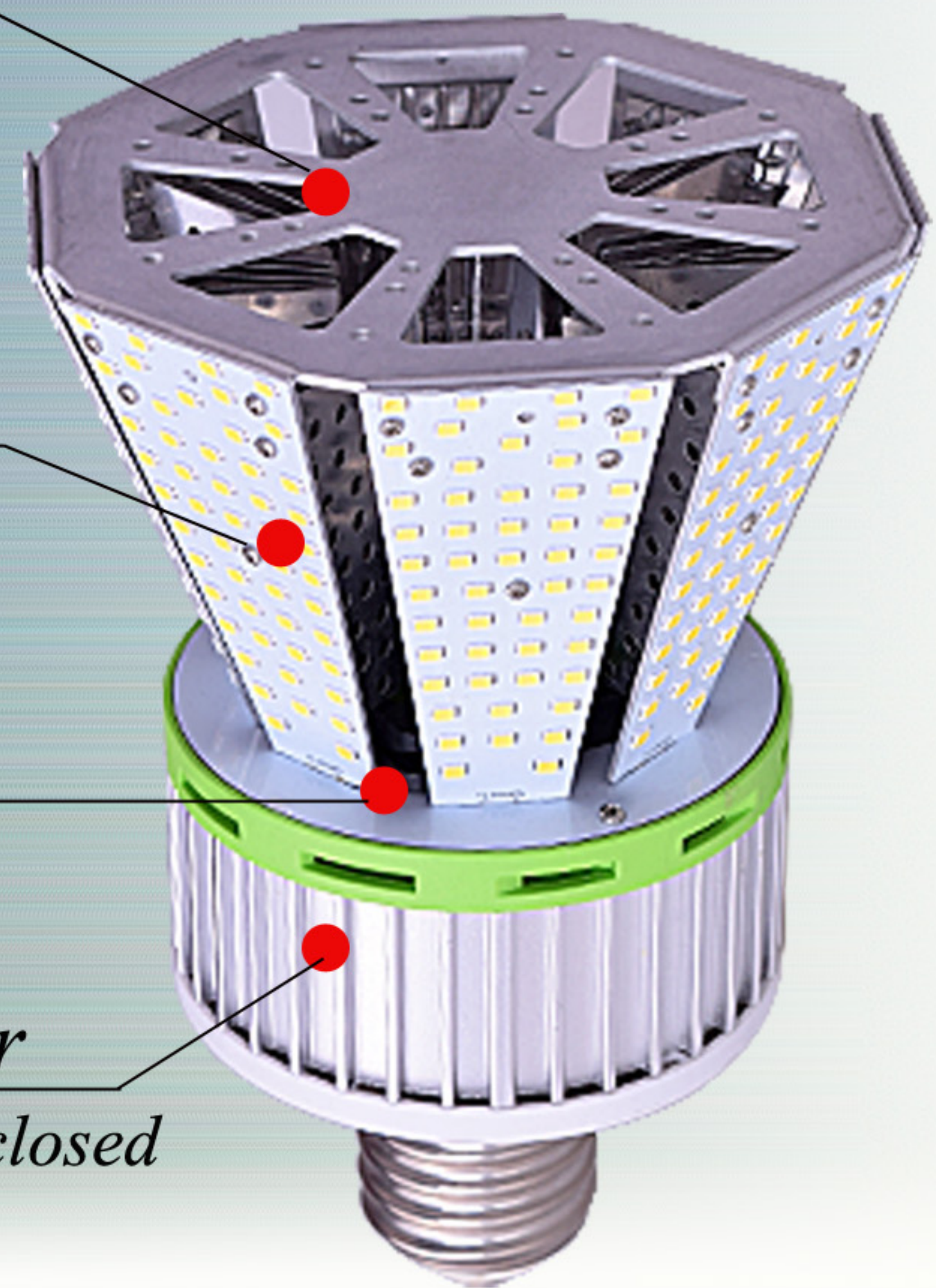
*Epistar 2835 SMD Tech*  
120 lm/w



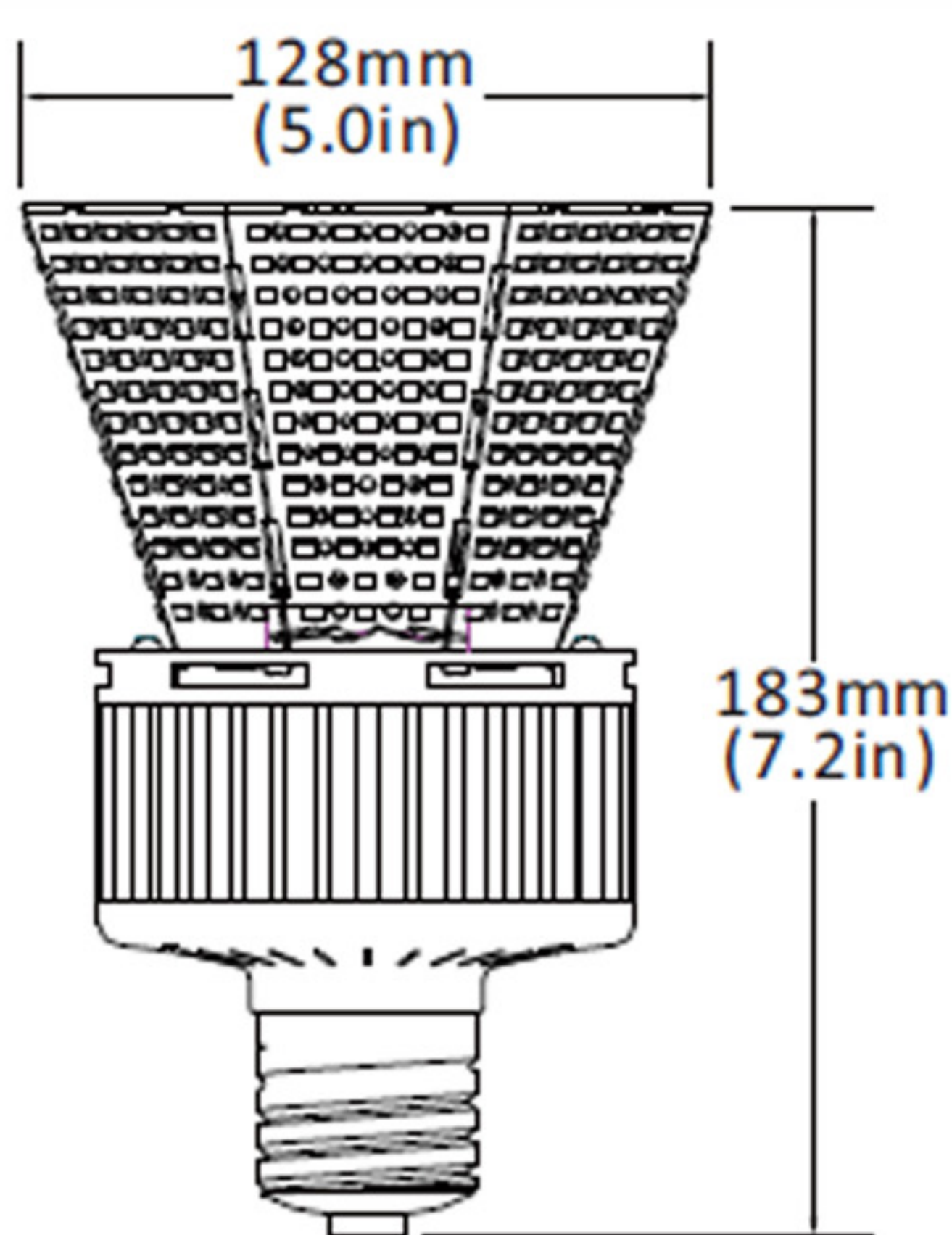
*Sunon brand Fan*  
ball bearing



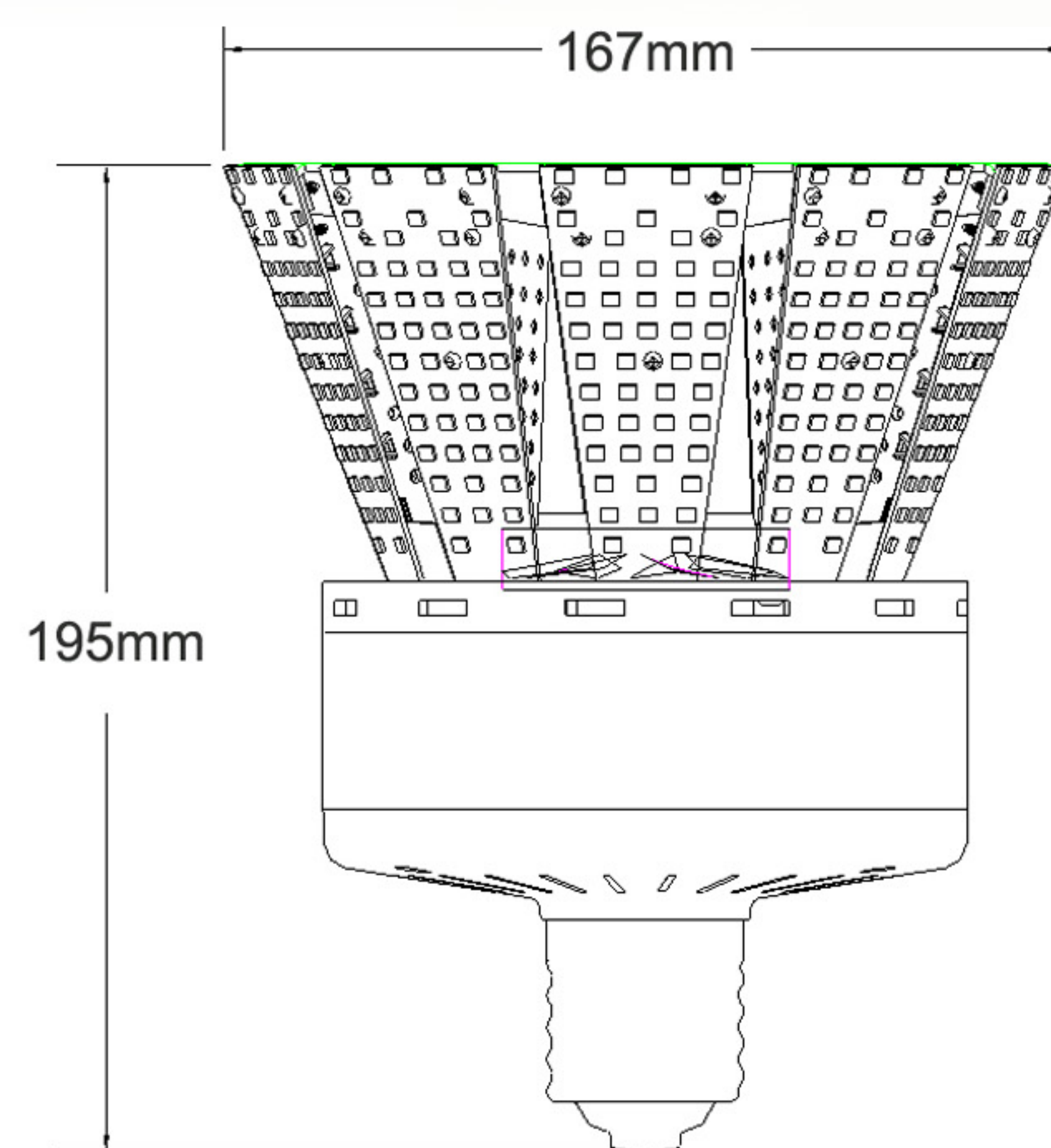
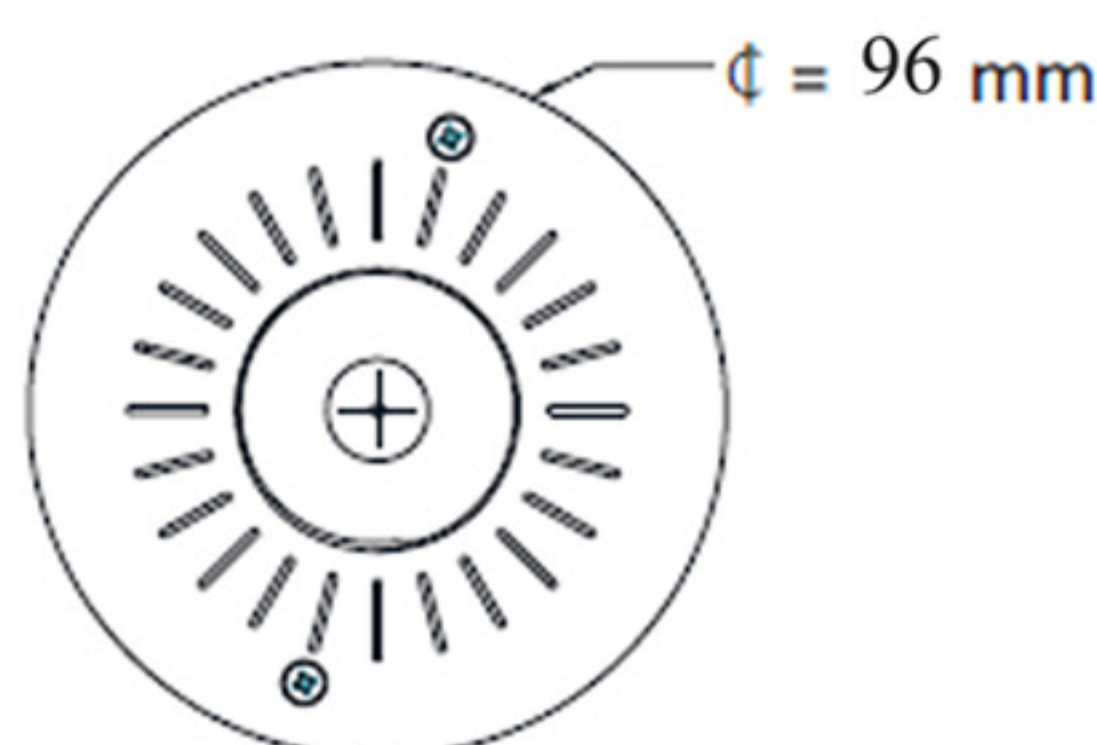
*IP65 driver*  
Aluminum enclosed



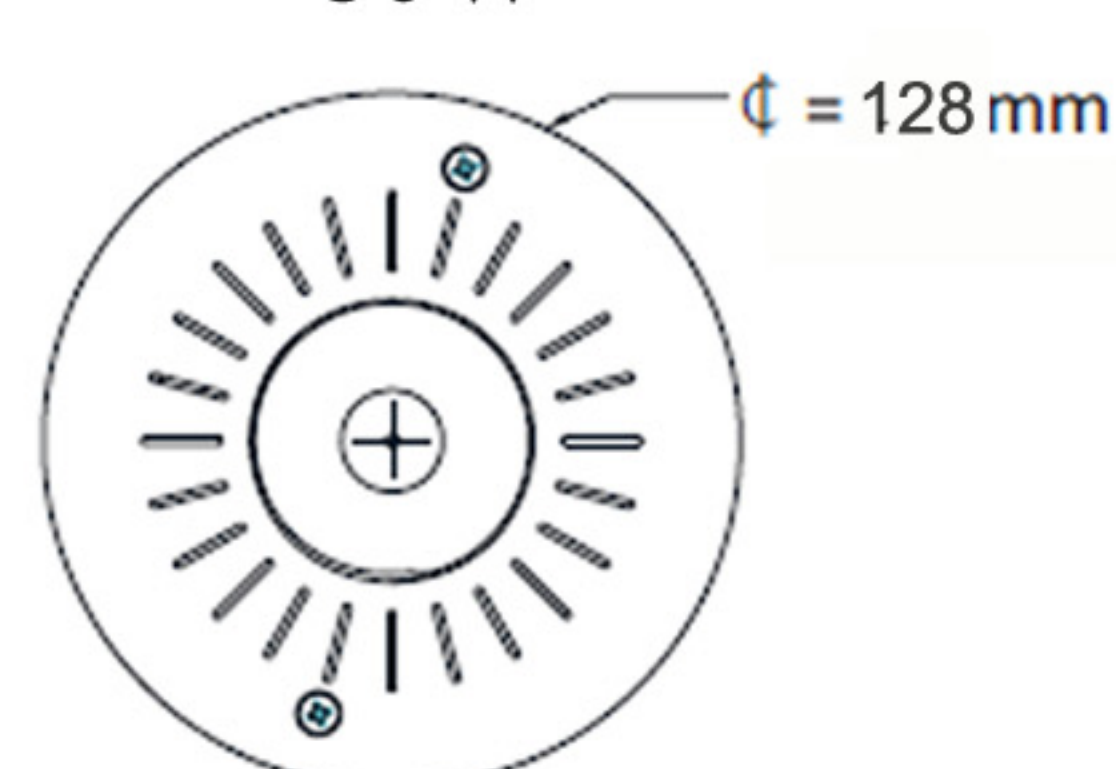
## Dimension:



30W-60W



80W



# LED Post Top Bulb

## Specification:

Item No.	Rated Watt	Input Volt	Power Factor	CRI	Replacement	Lumens
YL-30W8S-E39	30W	100-277VAC	PF>0.95	Ra>80	100W MH HPS HID	3800LM
YL-40W8S-E39	40W	100-277VAC	PF>0.95	Ra>80	120W MH HPS HID	5000LM
YL-50W8S-E39	50W	100-277VAC	PF>0.95	Ra>80	150W MH HPS HID	6200LM
YL-60W8S-E39	60W	100-277VAC	PF>0.95	Ra>80	175W MH HPS HID	7400LM
YL-80W10S-E39	80W	100-277VAC	PF>0.95	Ra>80	250W MH HPS HID	10400LM

- Color temperature: 2700K,3000K,4000K,5000K,5700K etc.
- Life time: over 50,000 hours
- Insect-proof, moisture-proof, with 4KV surge protection.
- Enclosed fixture applicable.



## Applications:

This LED bulb can be applied for all different post top and acorn fixtures to replace MH HPS HID lamp up to 250w.(including but not limited to )



Please remove any ballast or capacitor parts before doing the retrofiting.